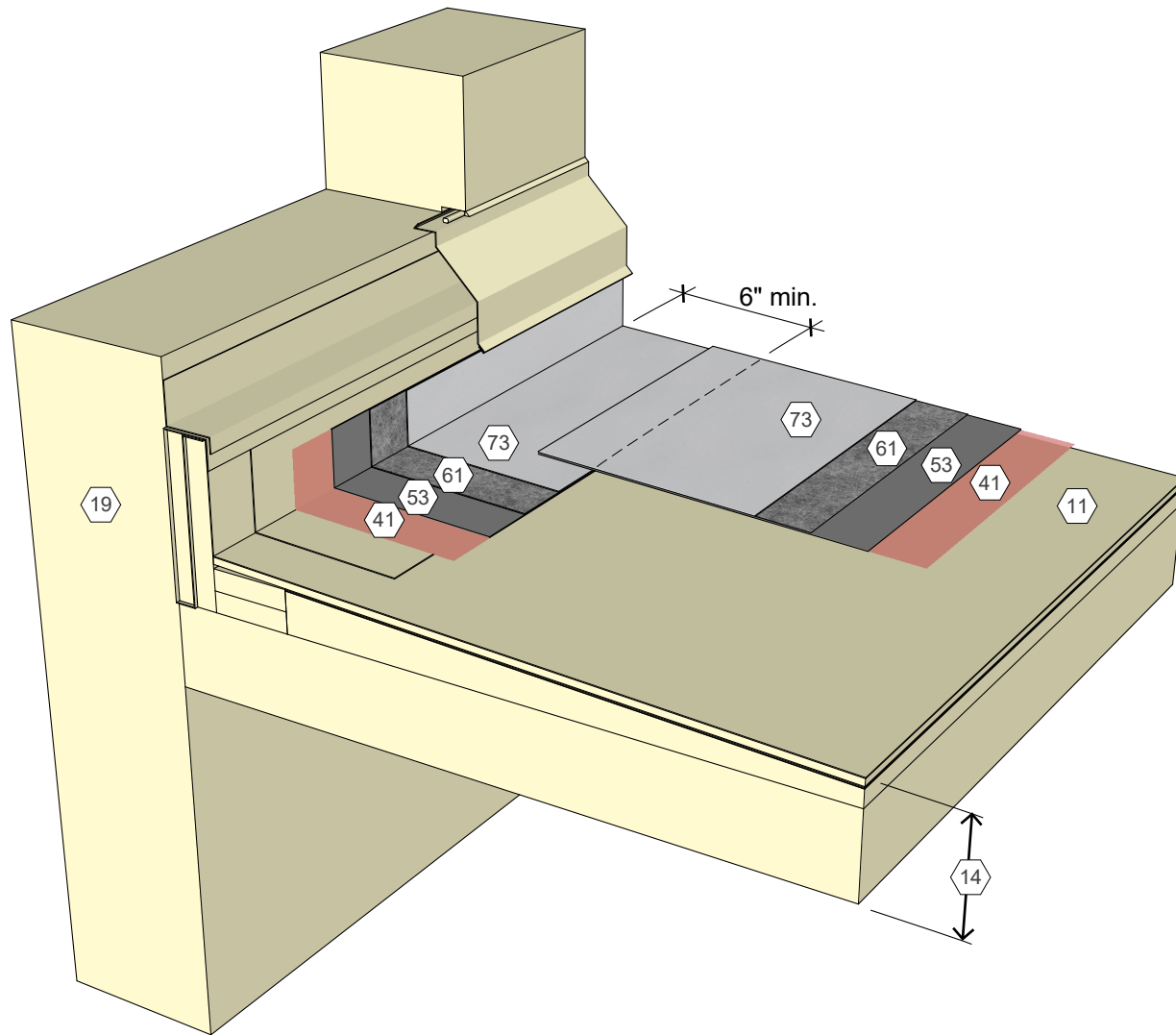


KEY NOTES

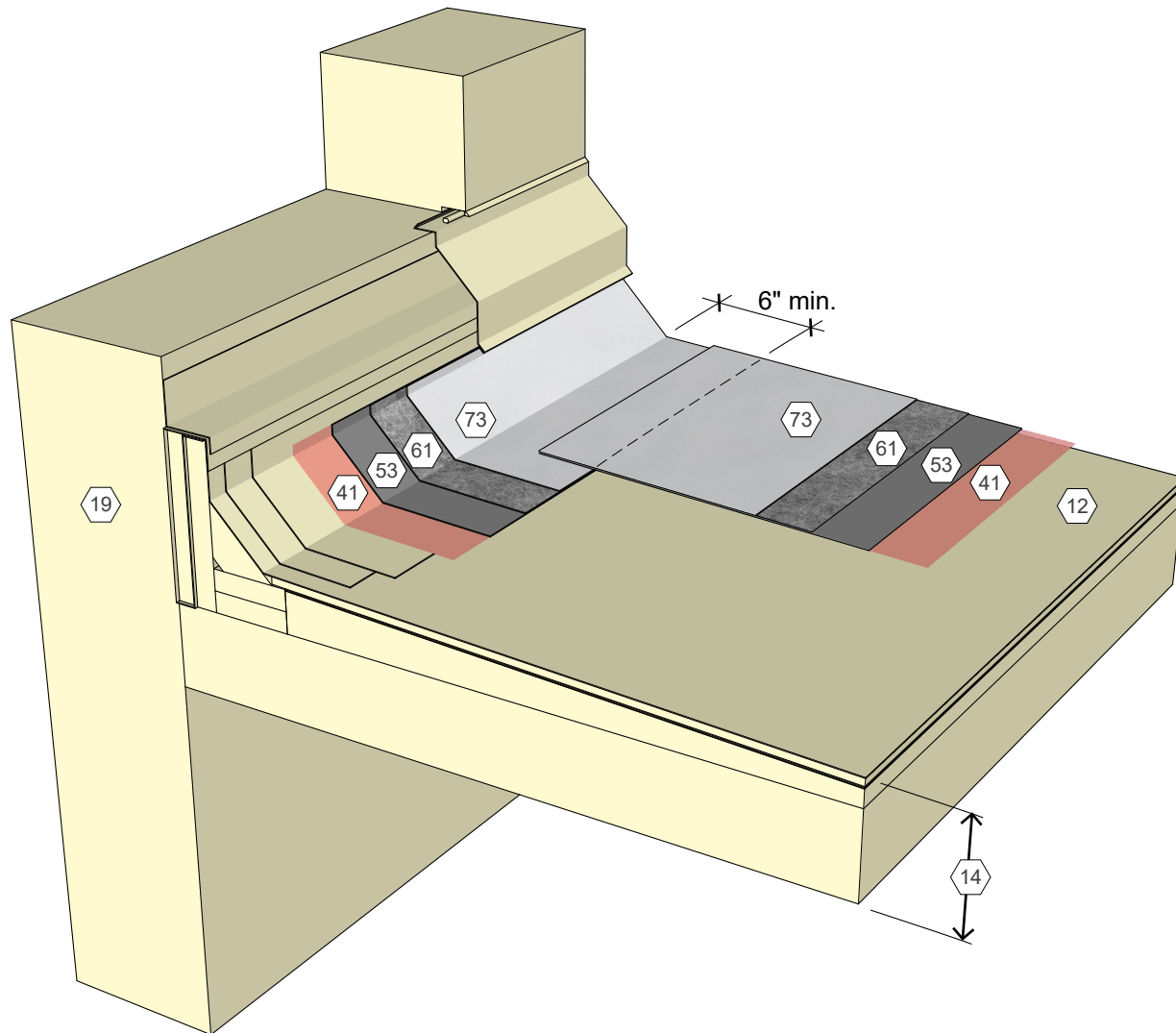
- ① Existing Single-Ply Membrane
- ② Existing Structural Deck and Insulation Assembly
- ③ Existing Wall Assembly
- ④ Approved Primer
- ⑤ AlphaGuard PUMA Base Coat
- ⑥ AlphaGuard Glass Mat or Permafab
- ⑦ AlphaGuard PUMA Top Coat



AlphaGuard® PUMA Restoration Detail, Single-Ply, Parapet Wall, Non-Supported
Detail 14061

KEY NOTES

- ⑫ Existing MB or Smooth BUR
- ⑭ Existing Structural Deck and Insulation Assembly
- ⑰ Existing Wall Assembly
- ④① Approved Primer
- ⑤③ AlphaGuard PUMA Base Coat
- ⑥① AlphaGuard Glass Mat or Permafab
- ⑦③ AlphaGuard PUMA Top Coat



AlphaGuard® PUMA Restoration Detail, MB or Smooth BUR, Parapet Wall, Non-Supported
Detail 14062